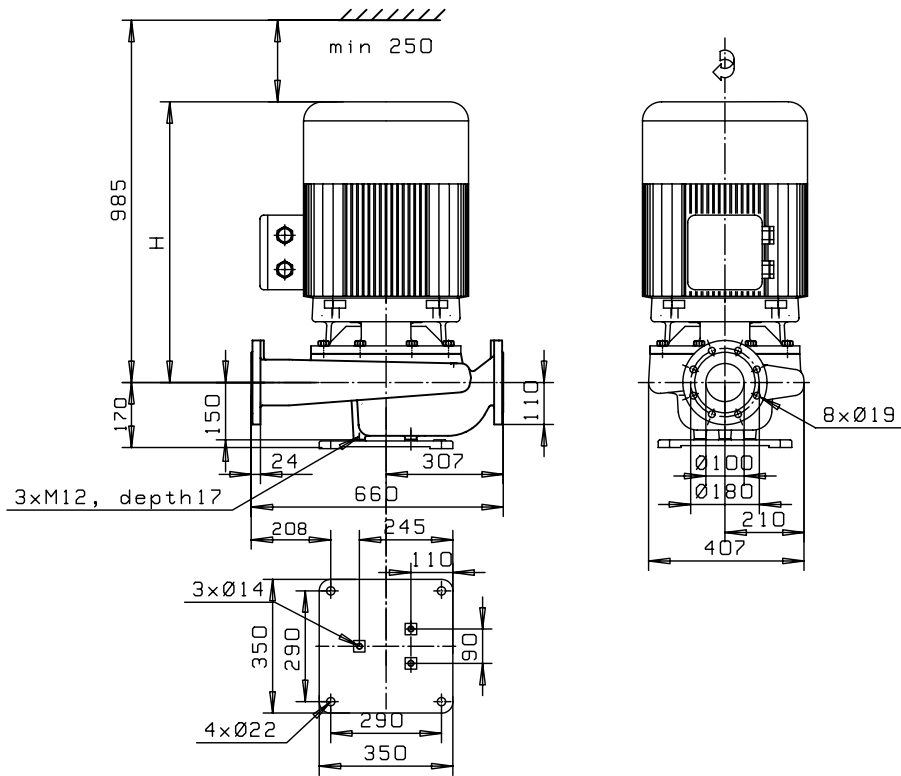


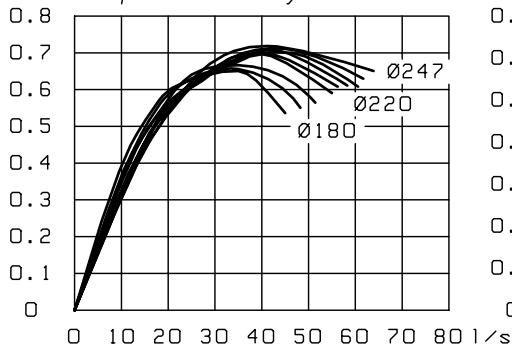
L_ -100S/2

DN100 3000 r/min

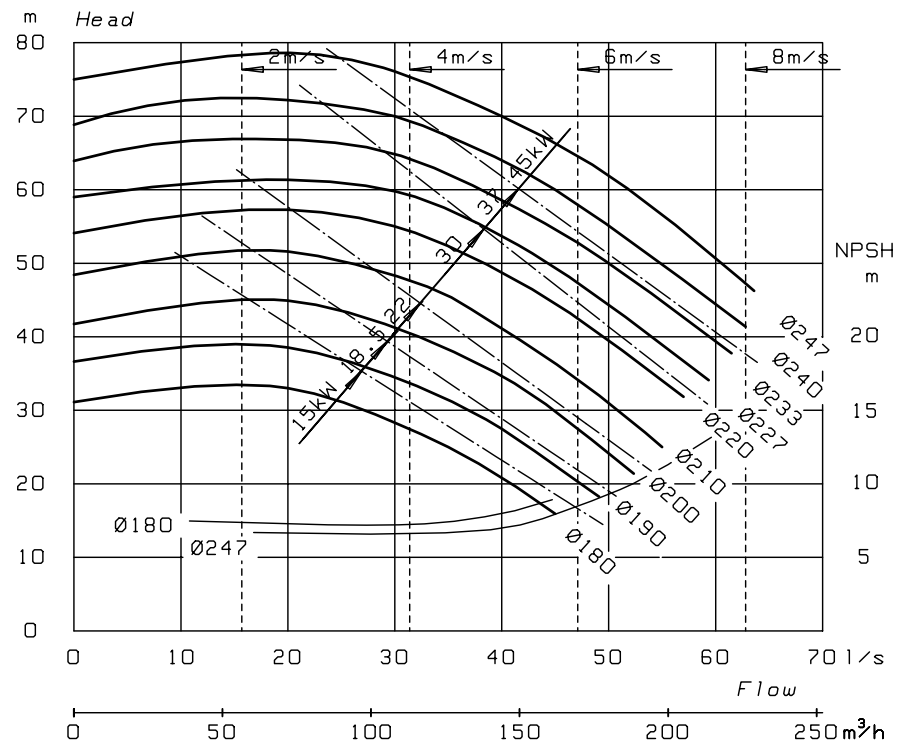
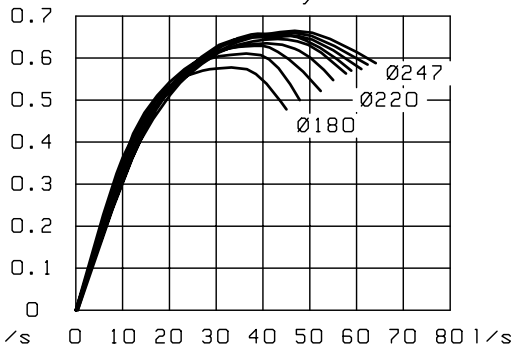


	kW	A	kg	H
OKM-227 K1 F32	45	77.5	405	735
OKM-207 J1 F31	37	64	365	735
OKM-206 K1 F31	30	53	345	645
OKM-187 G1 F31	22	38	275	645
OKM-165 H1 F31	18.5	34	245	630
OKN-164 G1 F31	15	30.5	200	590

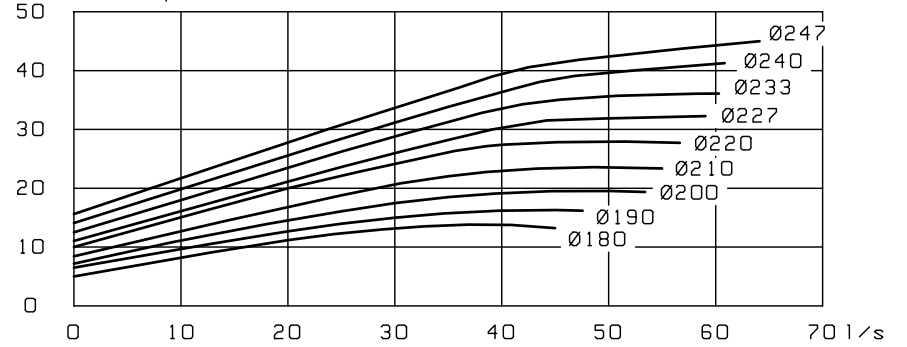
Pump efficiency



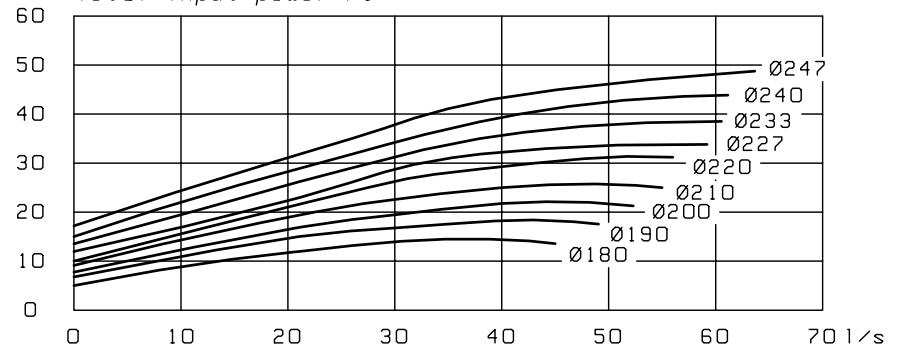
Total efficiency



Shaft power P2



Total input power P1



Suunn: 2004-10-27 MR
Tark: 2004-11-24 JJT

Korvaa:

84551