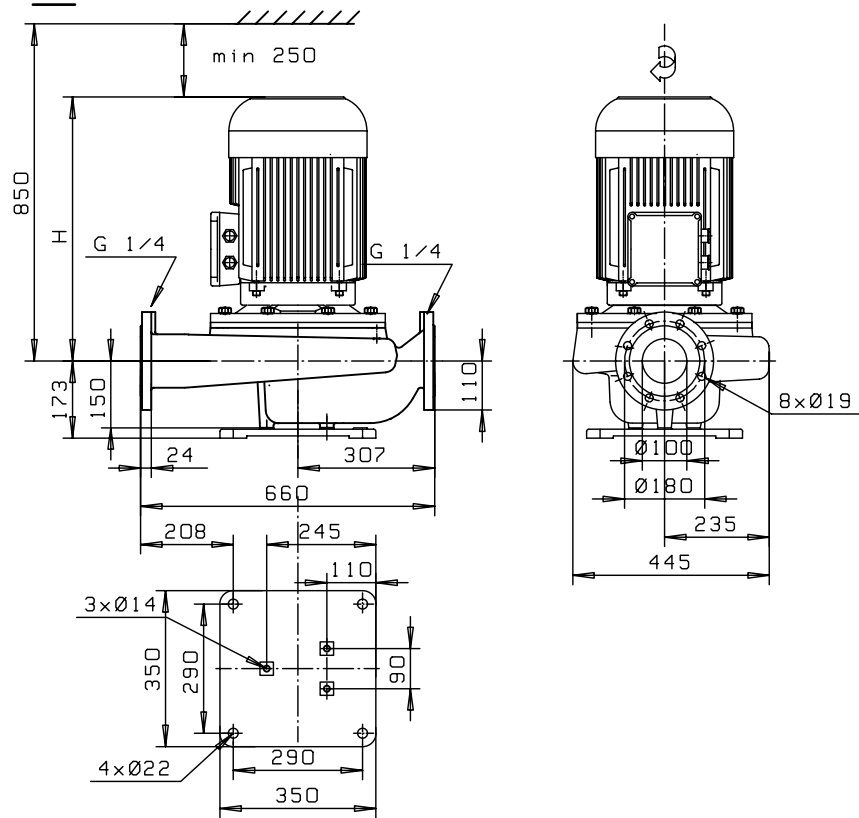


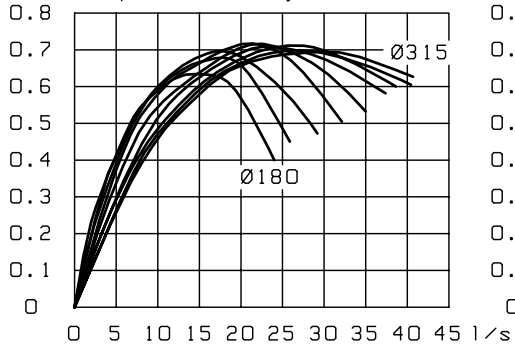
L - 100S/4

DN100 1500 r/min

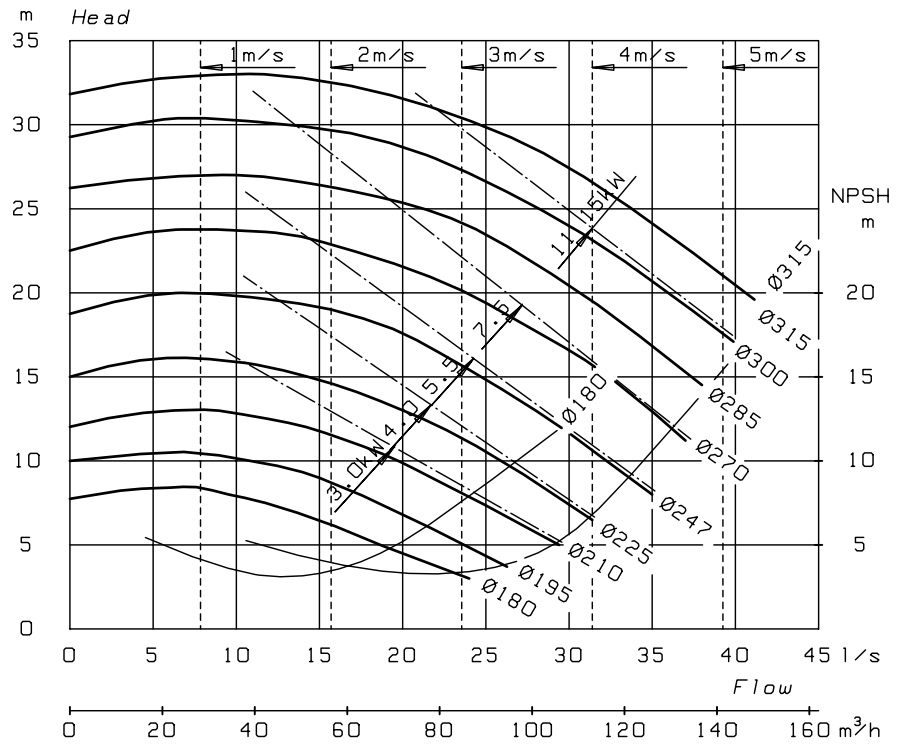
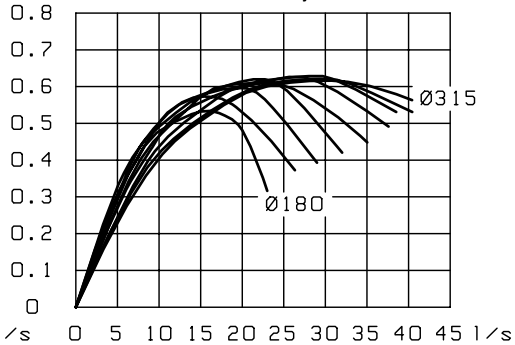


	<i>kW</i>	<i>A</i>	<i>kg</i>	<i>H</i>
<i>OKN-164B J2 F31</i>	15.0	31.0	230	600
<i>OKN-164B G2 F31</i>	11.0	22.6	215	600
<i>OKN-133 G2 BF31</i>	7.5	15.7	195	555
<i>OKN-132 E2 BF31</i>	5.5	11.9	180	505
<i>OKN-132 C2 BF31</i>	4.0	8.7	170	505
<i>OKN-112 E2 F31</i>	3.0	6.6	150	440

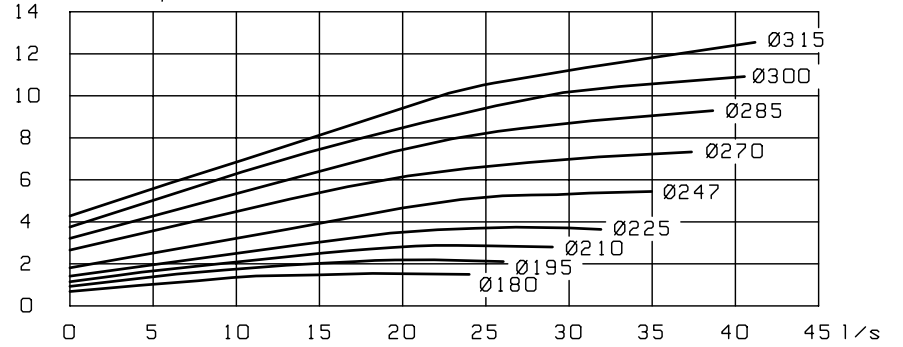
Pump efficiency



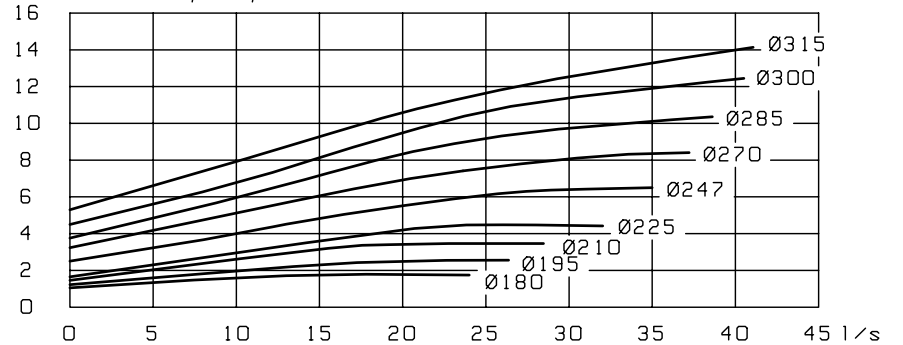
Total efficiency



Shaft power *P2*



Total input power *P1*



84530

Korvaa:

Suunn: 2004-03-16 MR

Tark: 2004-06-01 JJT