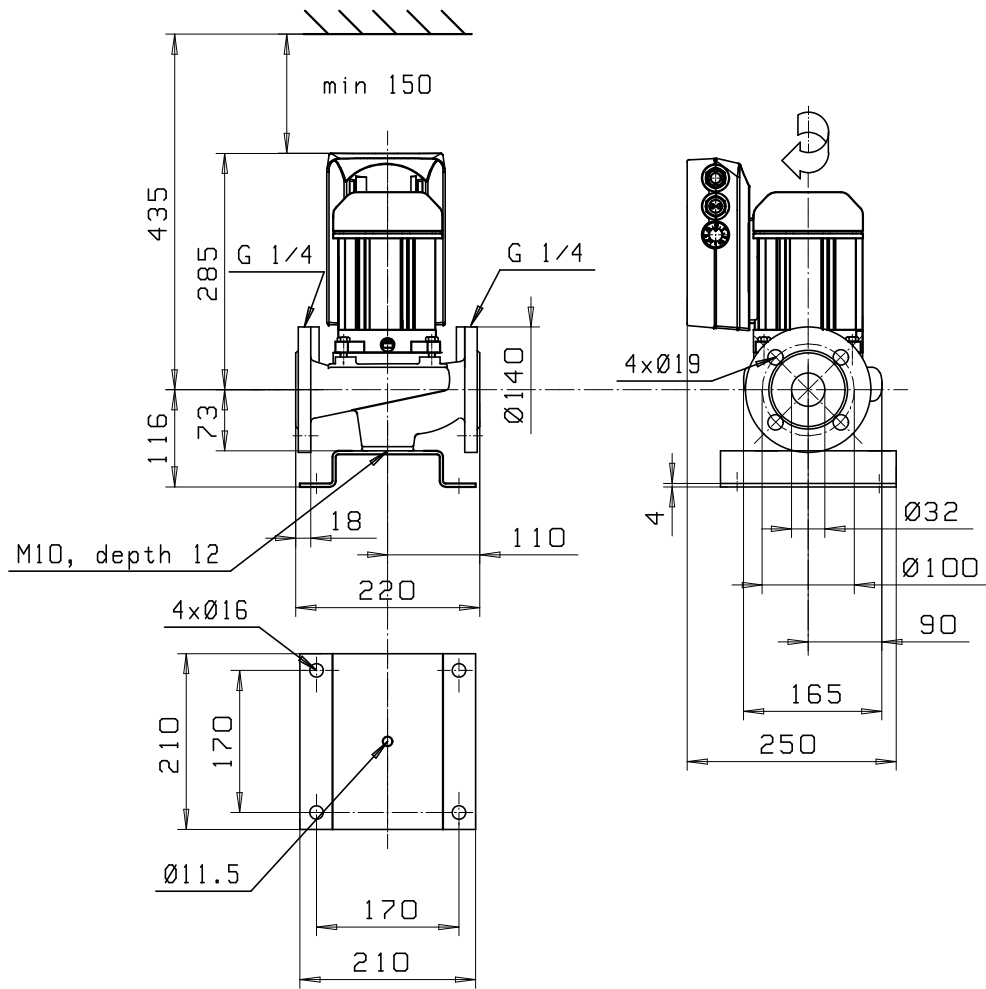
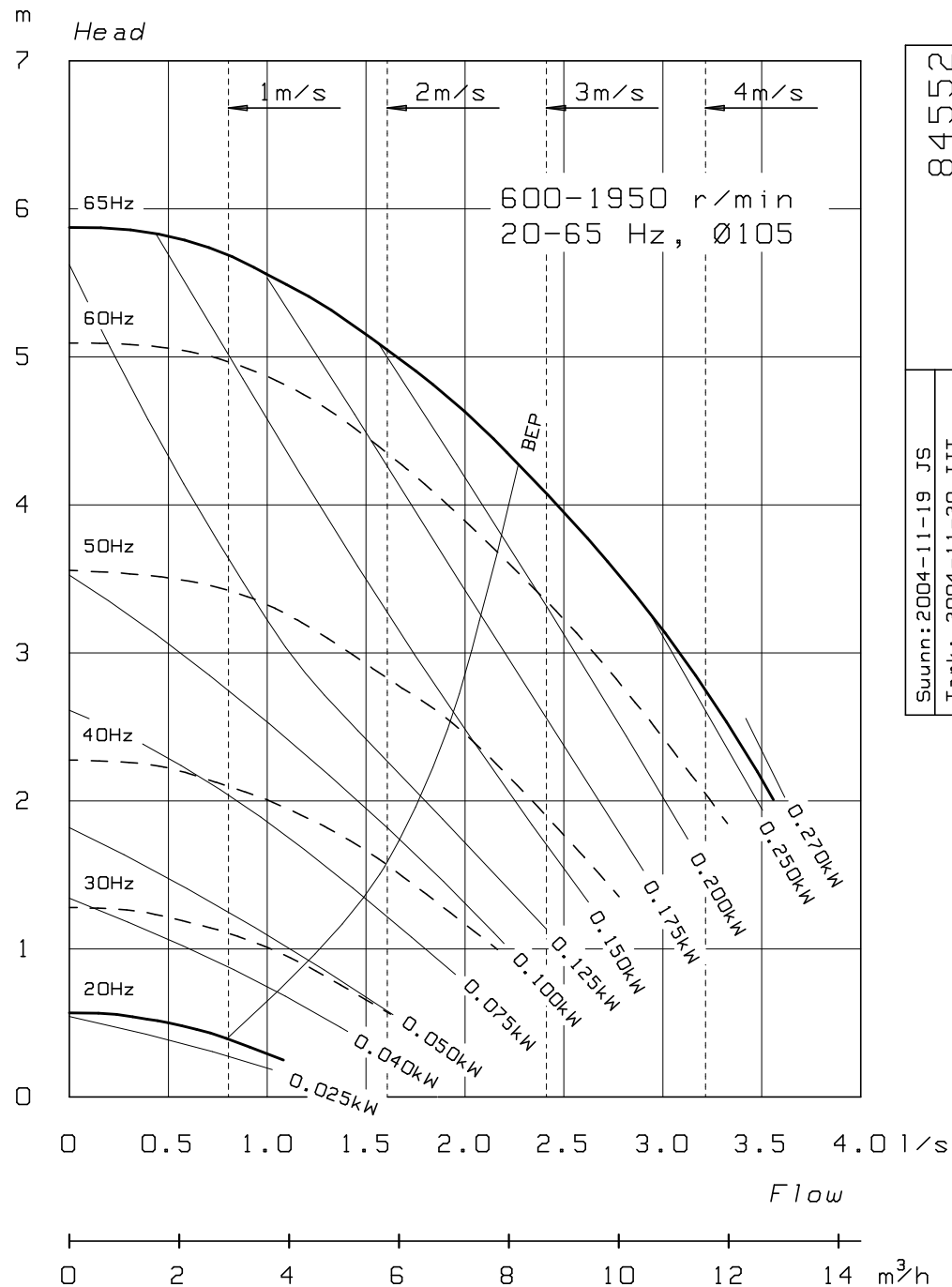


L\_-32A/4FC\_

DN32



	PI kW	A	kg
OPFC-752 N12	0.025 - 0.27	0.07 - 0.53	19
BEP = best efficiency point			



Suunn: 2004-11-19 JS  
Tark: 2004-11-20 JJT

84552