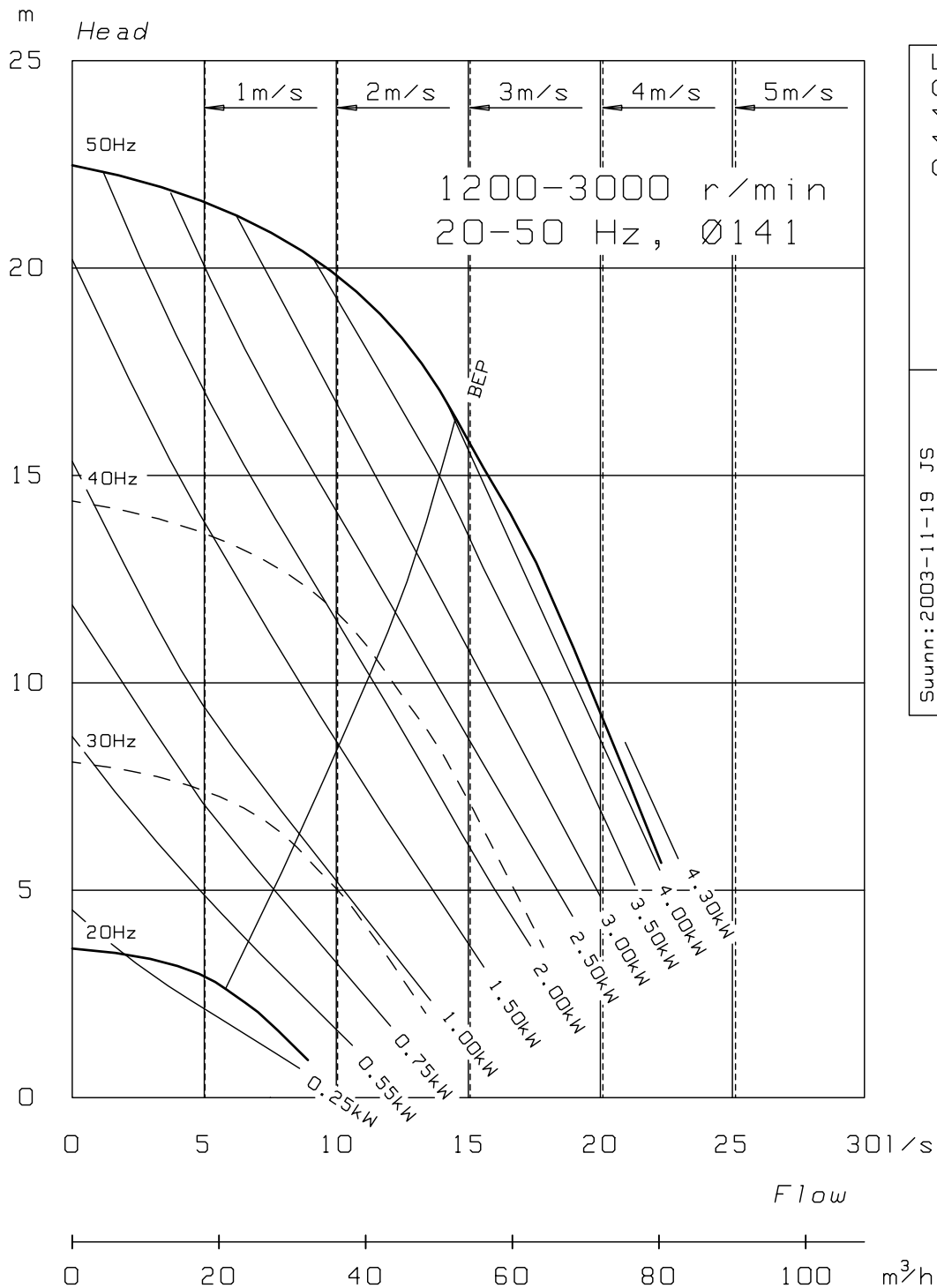
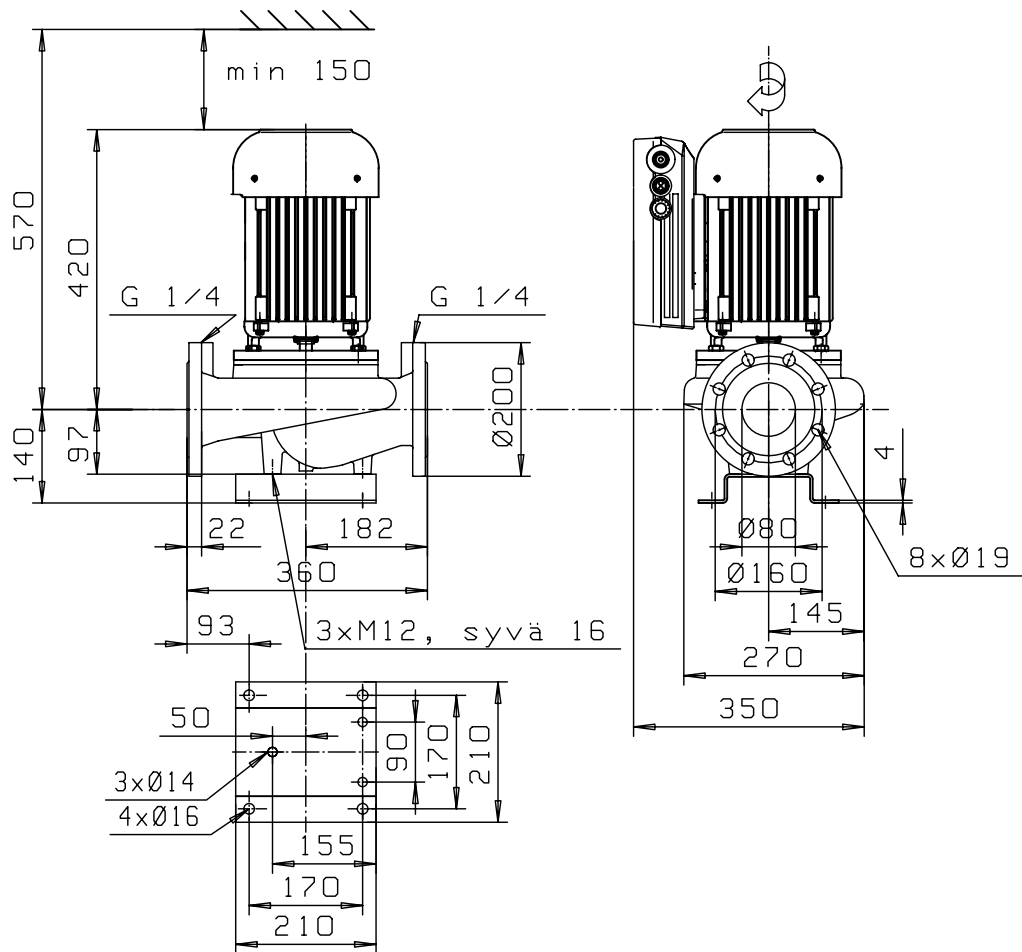


L\_-80A/2FC\_

DN80



	P1 kW	A	kg
OKFC-112 E1 F19	0.25 - 4.3	1.4 - 6.9	72
BEP = best efficiency point			

Suunn: 2003-11-19 JS  
Tark: 2003-11-19 JJT

84485