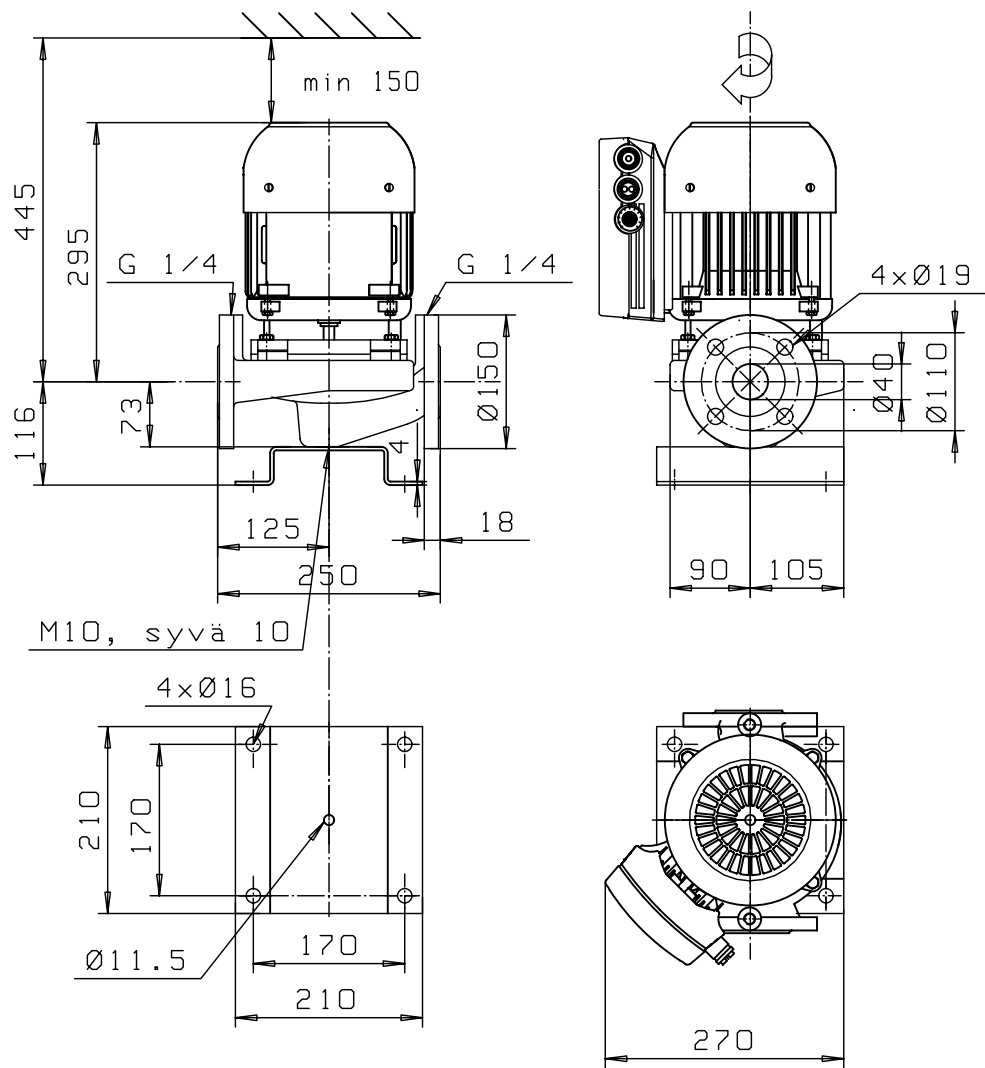


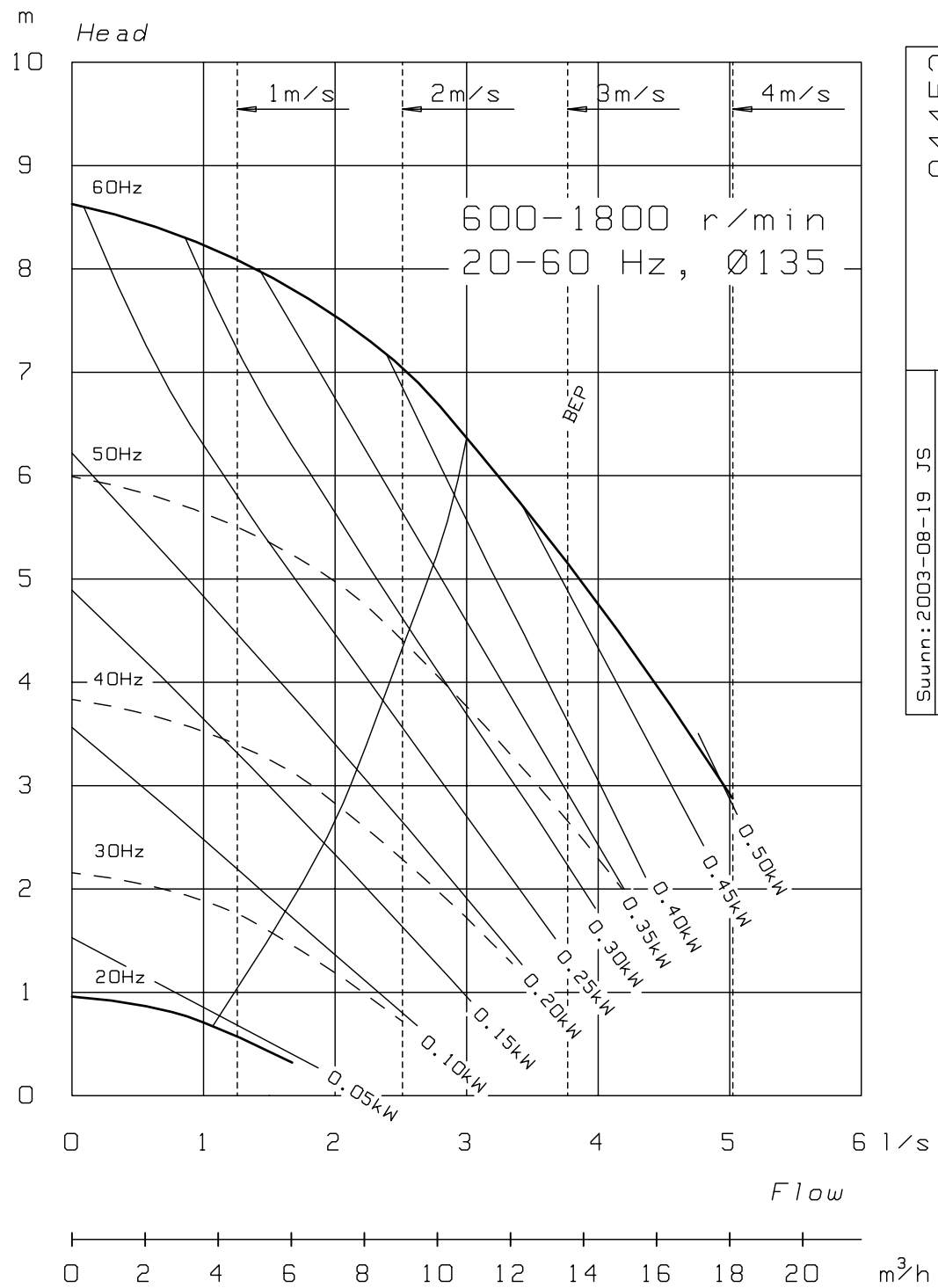
L\_-40A/4FC\_

DN40



M10, syvä 10

	<i>P</i> kW	<i>A</i>	kg
OKFC-100 B2 N13	0.08 - 0.50	0.2 - 0.9	40
<i>BEP</i> = best efficiency point			



Swunn: 2003-08-19 JS  
 Tark: 2003-11-14 JJT  
 84453