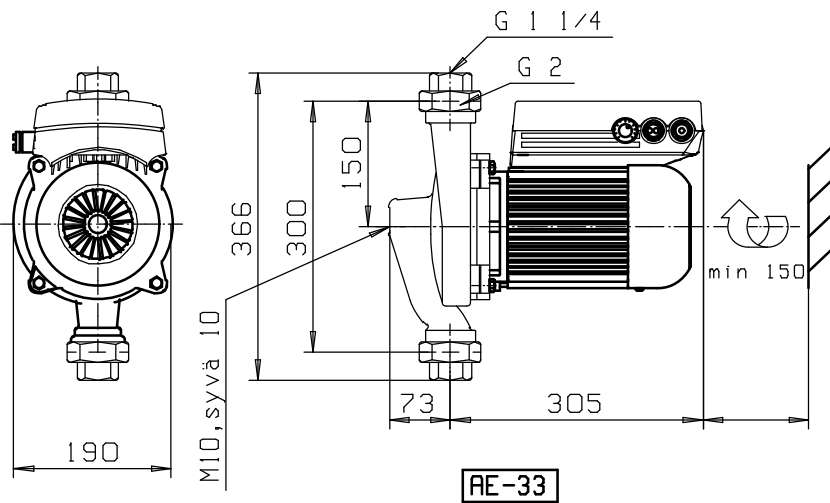
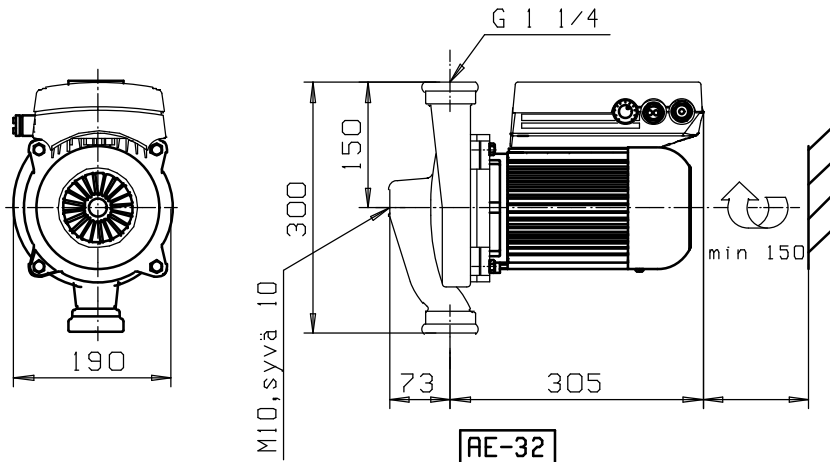
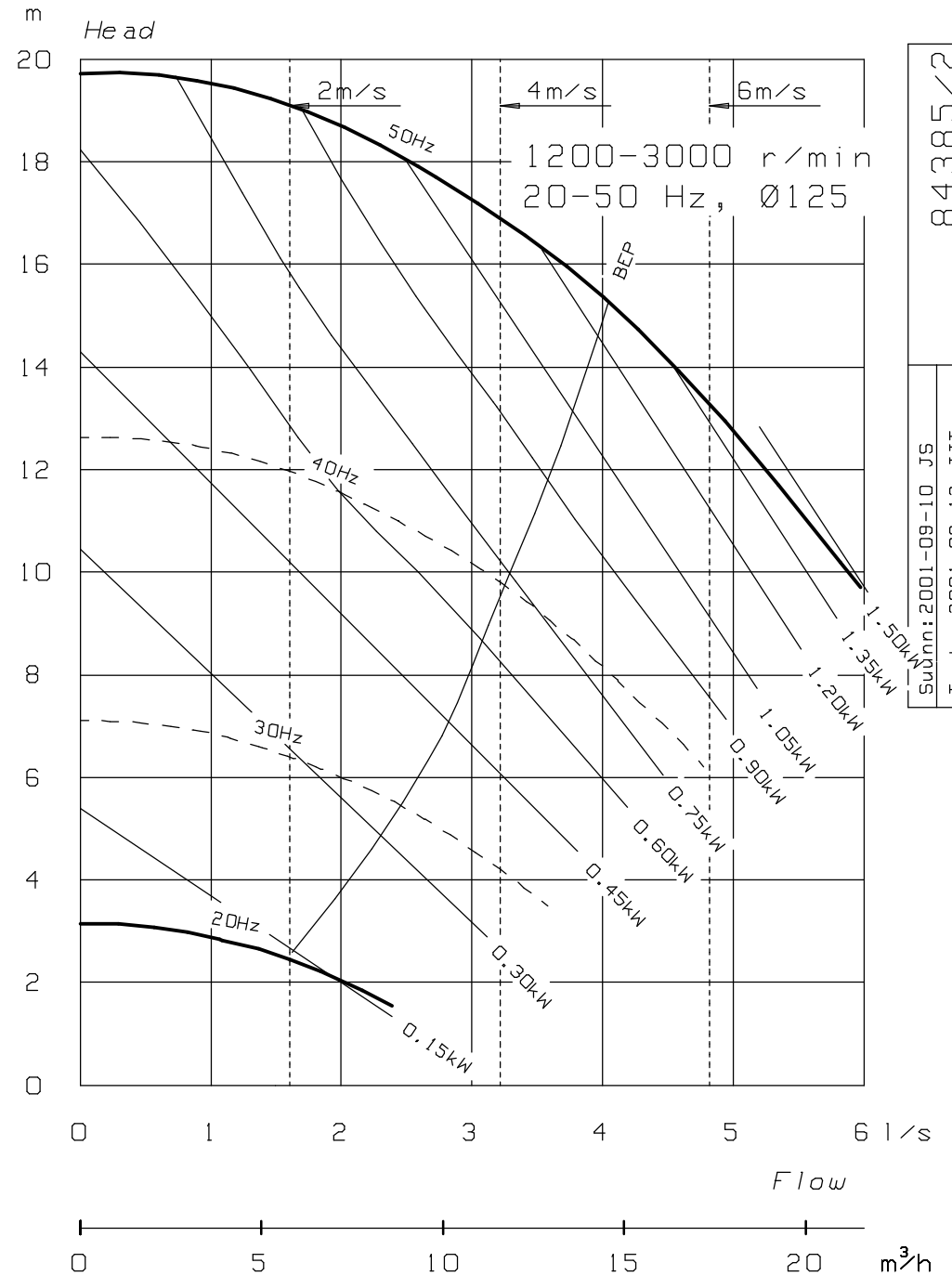


AE-32/2FC
AE-33/2FC

G1 1/4



	P1 kW	A	kg
OKFC-871 D N13	0.15 - 1.50	0.4 - 2.6	35
BEP = best efficiency point			



84385/2

Swinn: 2001-09-10 JS
Tark: 2001-09-12 JJT