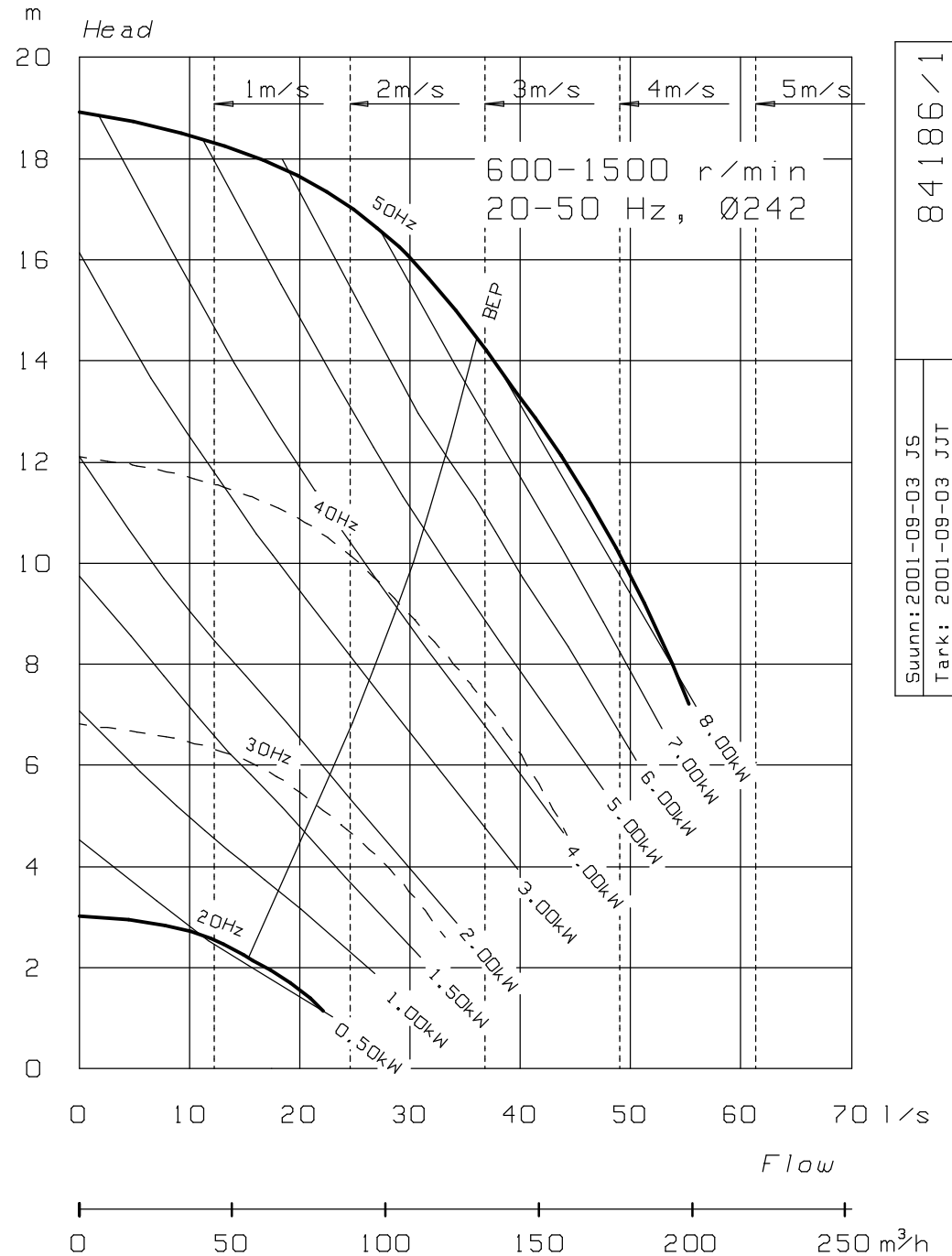
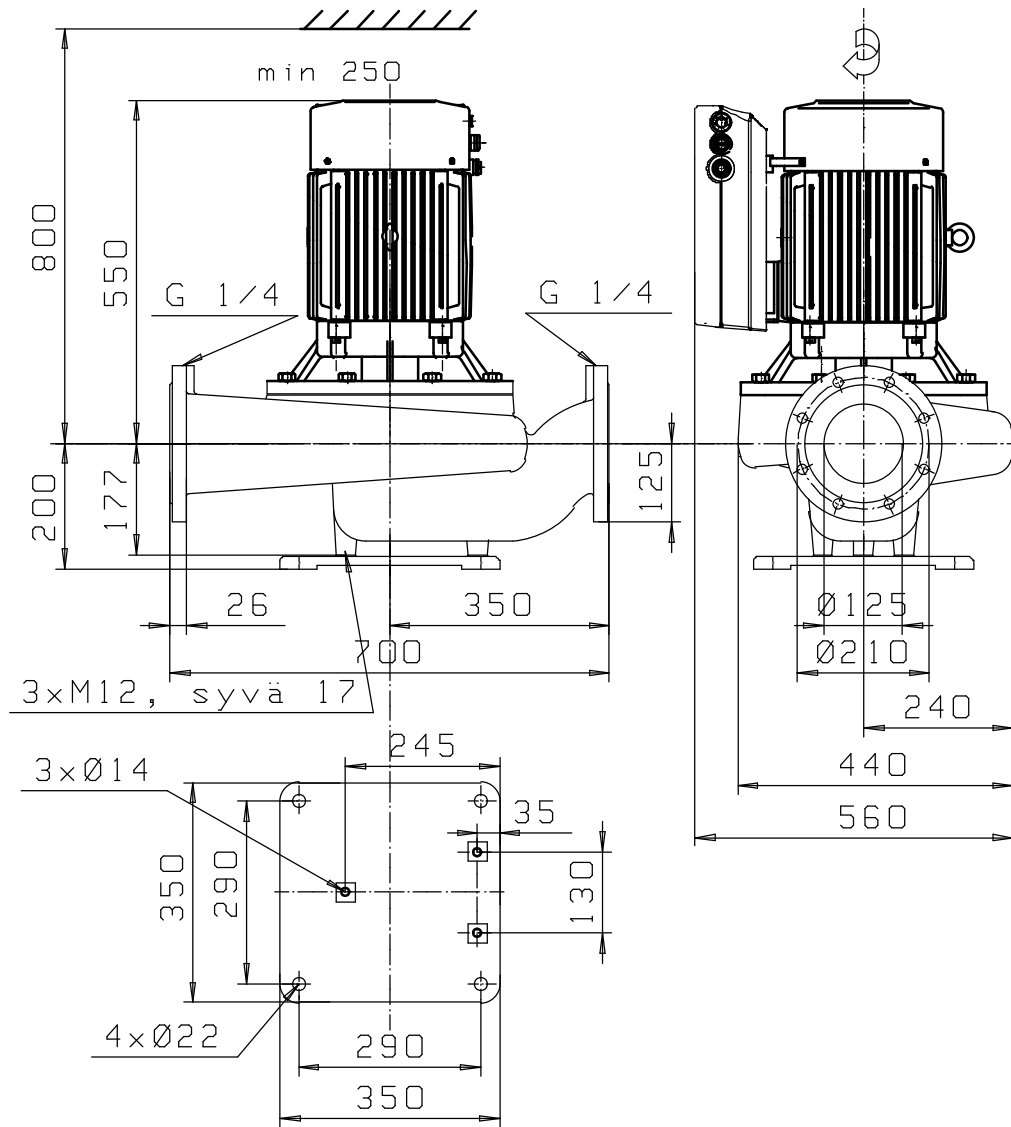


AL_-1129/4FC_

DN125



	P1 kW	A	kg
OKFC-133 G2 BF31	0.50 - 8.3	1.2 - 13.0	205
BEP = best efficiency point			

Suunn: 2001-09-03 JS
 Tark: 2001-09-03 JJT
 84186/1