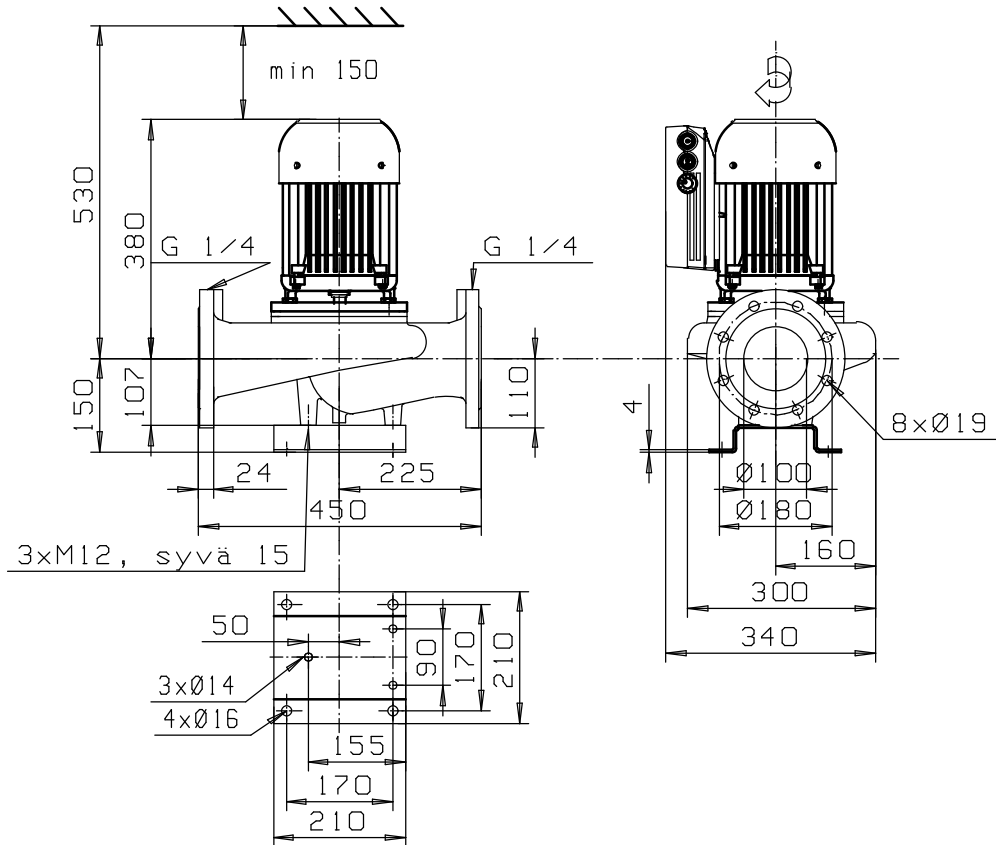
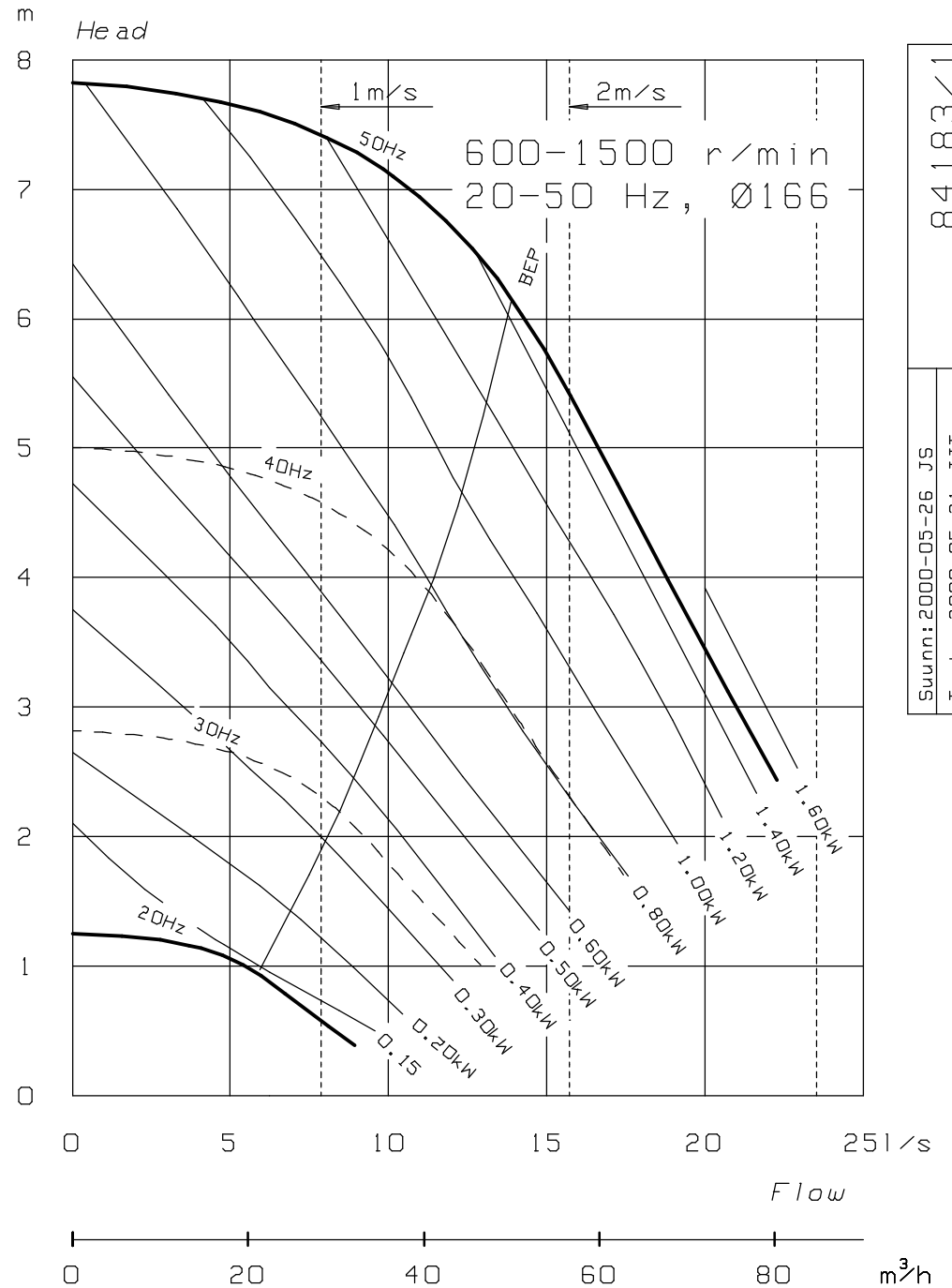


# AL\_-1102/4FC\_

# DN100



	<i>P1 kW</i>	<i>A</i>	<i>kg</i>
OKFC-101 C2 F19	0.15 - 1.6	0.4 - 2.6	67
<i>BEP = best efficiency point</i>			



Swunn: 2000-05-26 JS  
 Tark: 2000-05-31 JJT  
 84183/1