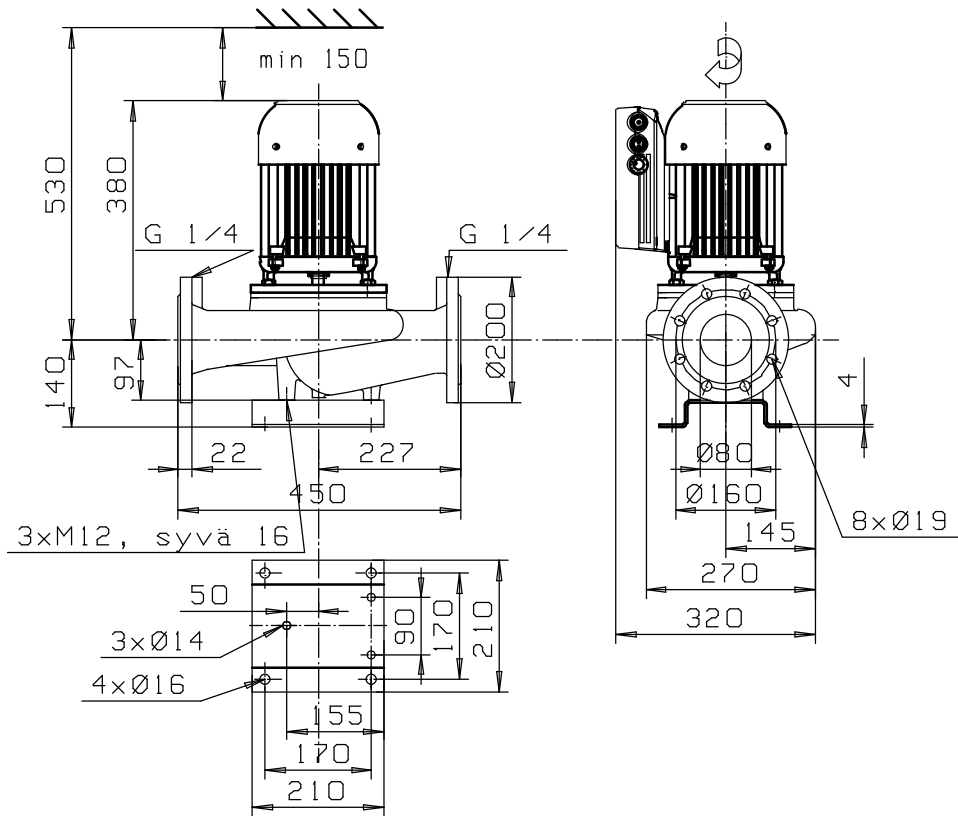
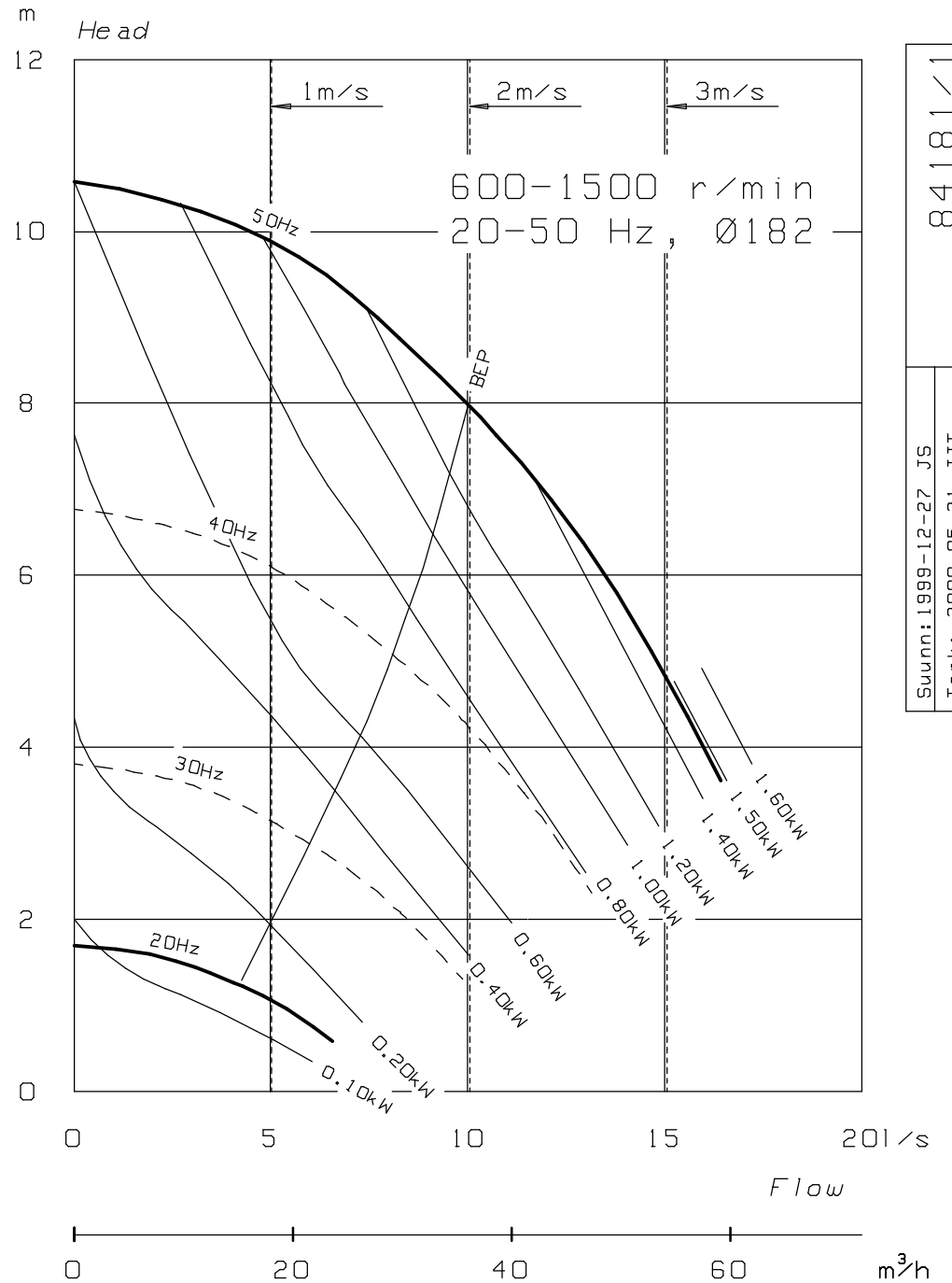


# AL\_-1081/4FC\_

## DN80



	P1 kW	A	kg
OKFC-101 C2 F19	0.10 - 1.6	0.2 - 2.6	57
BEP = best efficiency point			



Swunn: 1999-12-27 JS  
Tark: 2000-05-31 JJT

84181/1