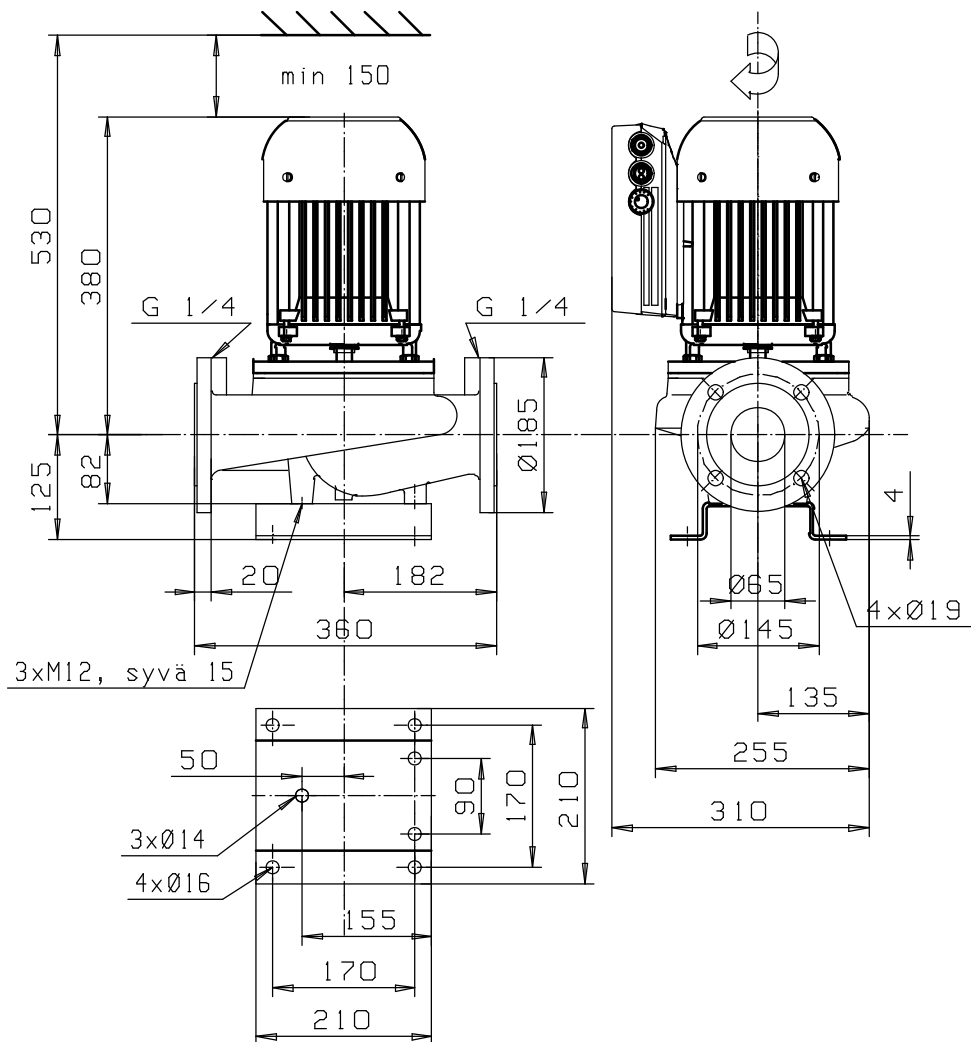
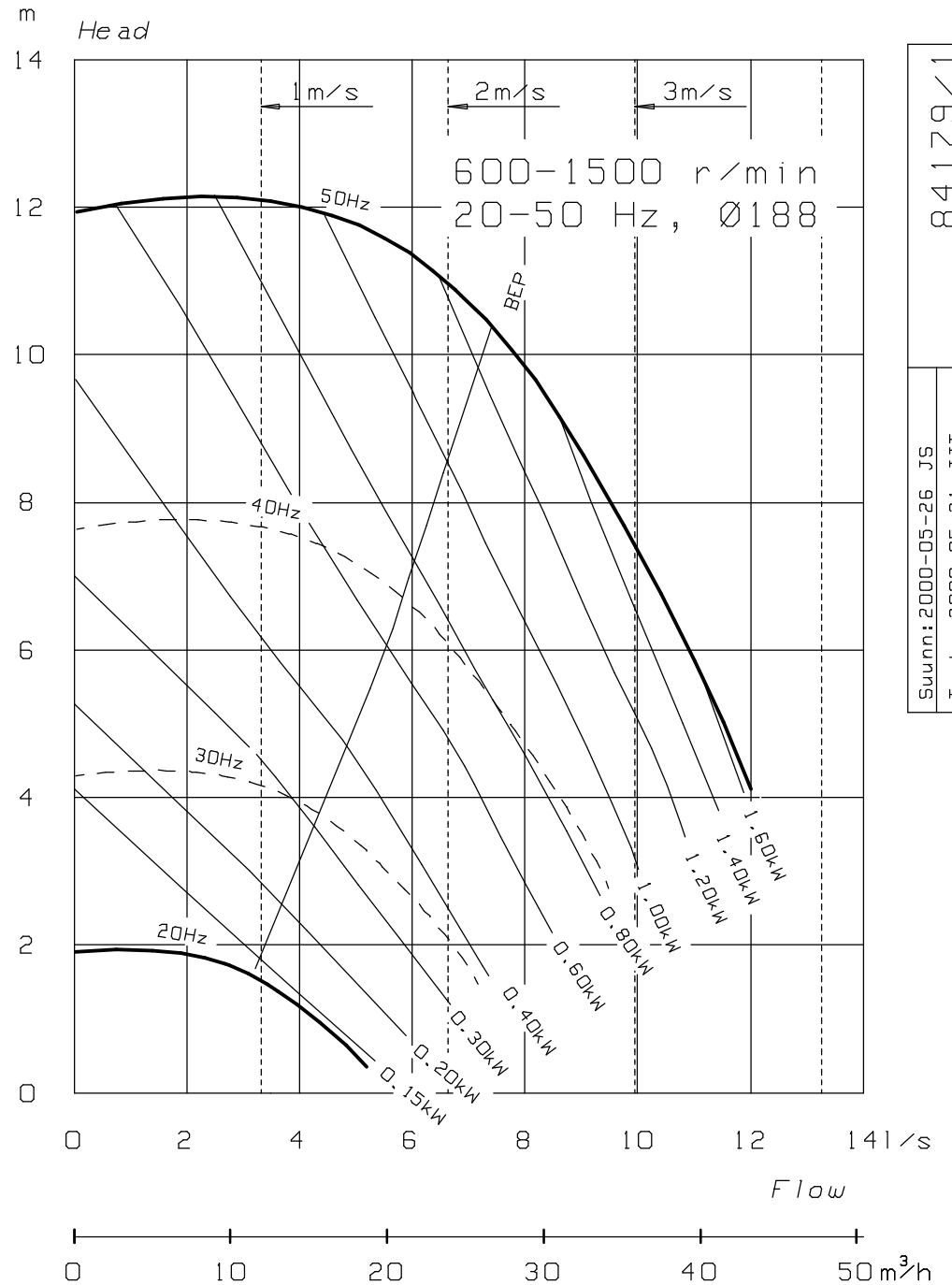


# AL\_-1066/4FC\_

DN65



	P1 kW	A	kg
OKFC-101 C2 F19	0.15 - 1.6	0.4 - 2.6	56
BEP = best efficiency point			



84179/1

Swinn: 2000-05-26 JS  
Tark: 2000-05-31 JJT