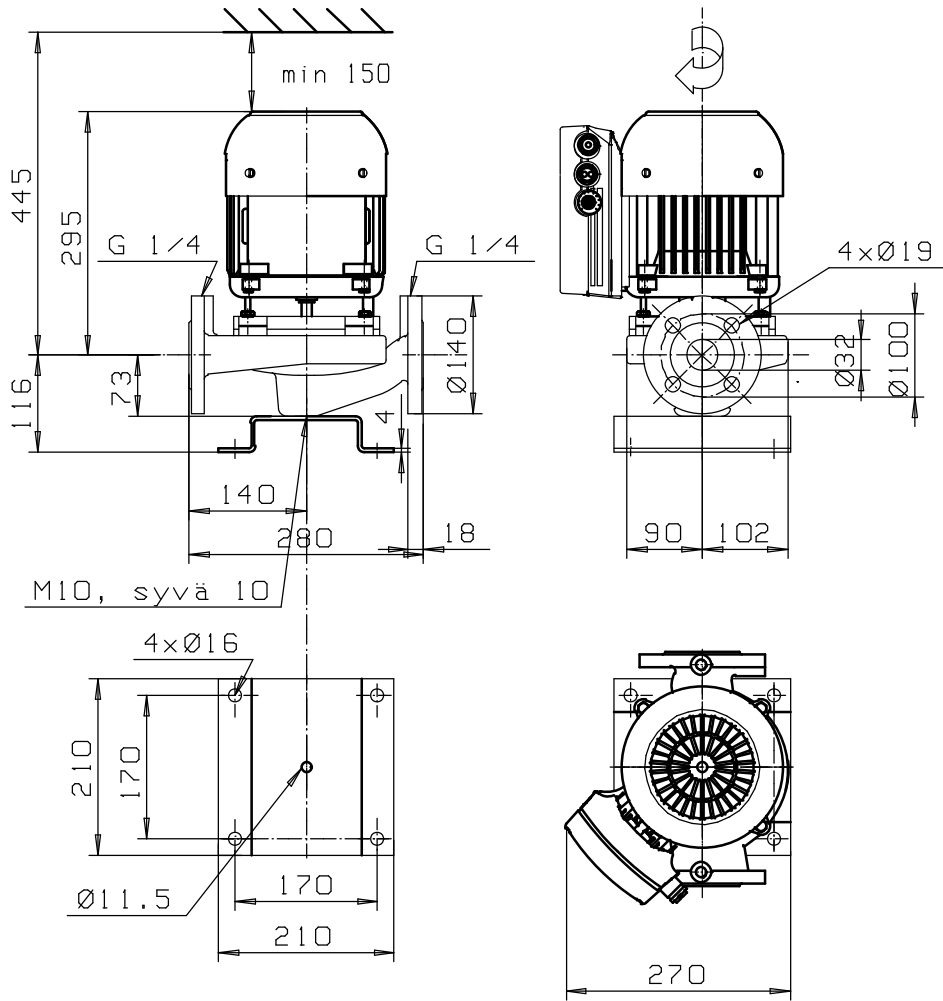
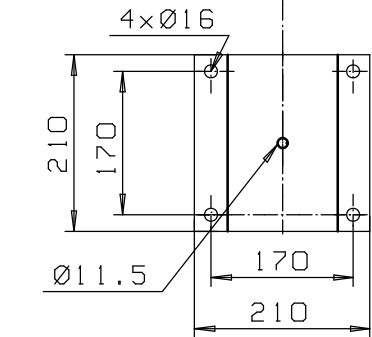


AL_-1032/4FC_

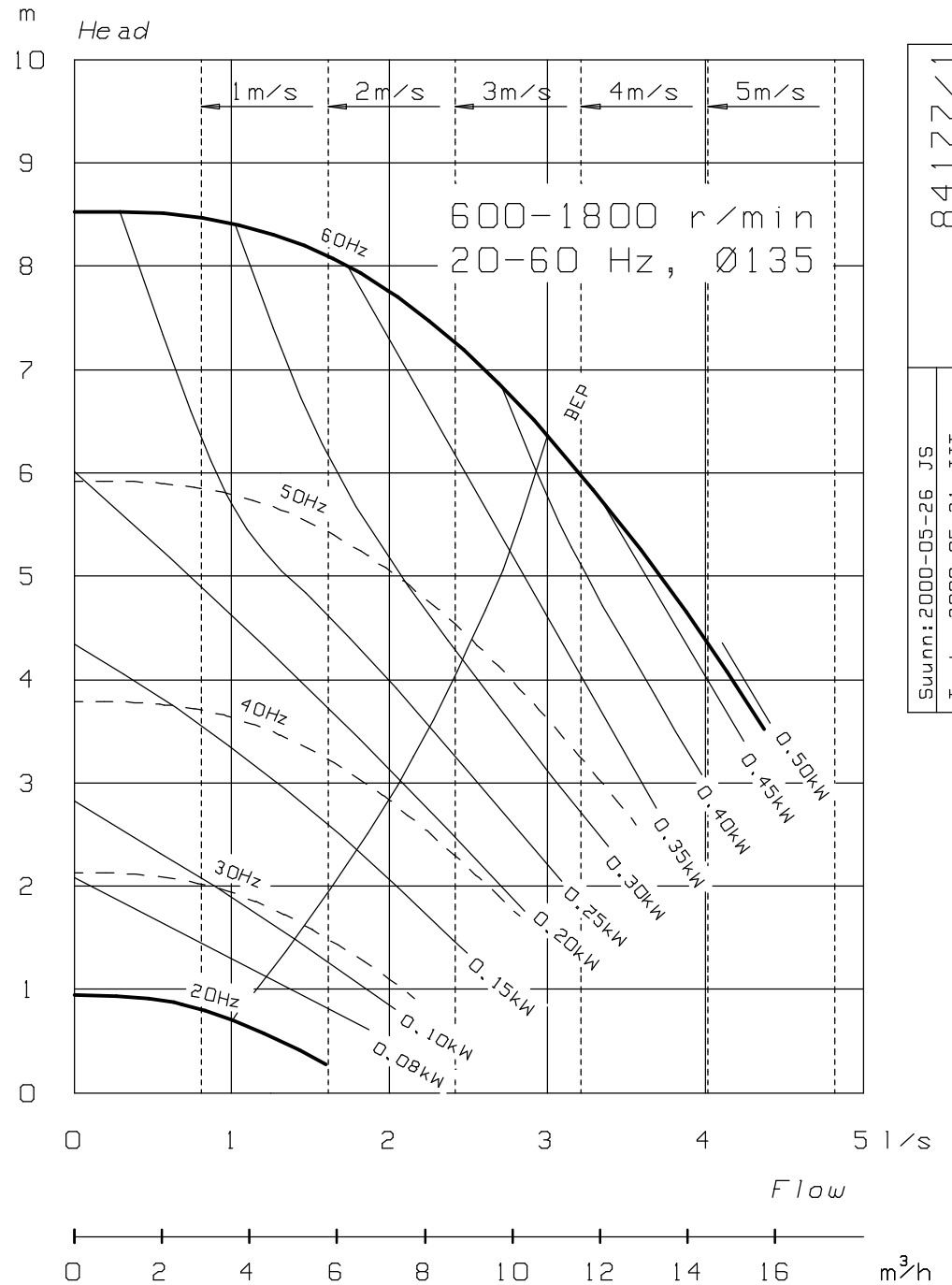
DN32



M10, syvä 10



	P1 kW	A	kg
OKFC-100 B2 N13	0.08 - 0.50	0.2 - 0.9	40
BEP = best efficiency point			



Swunn: 2000-05-26 JS
Tark: 2000-05-31 JJT

84177/1