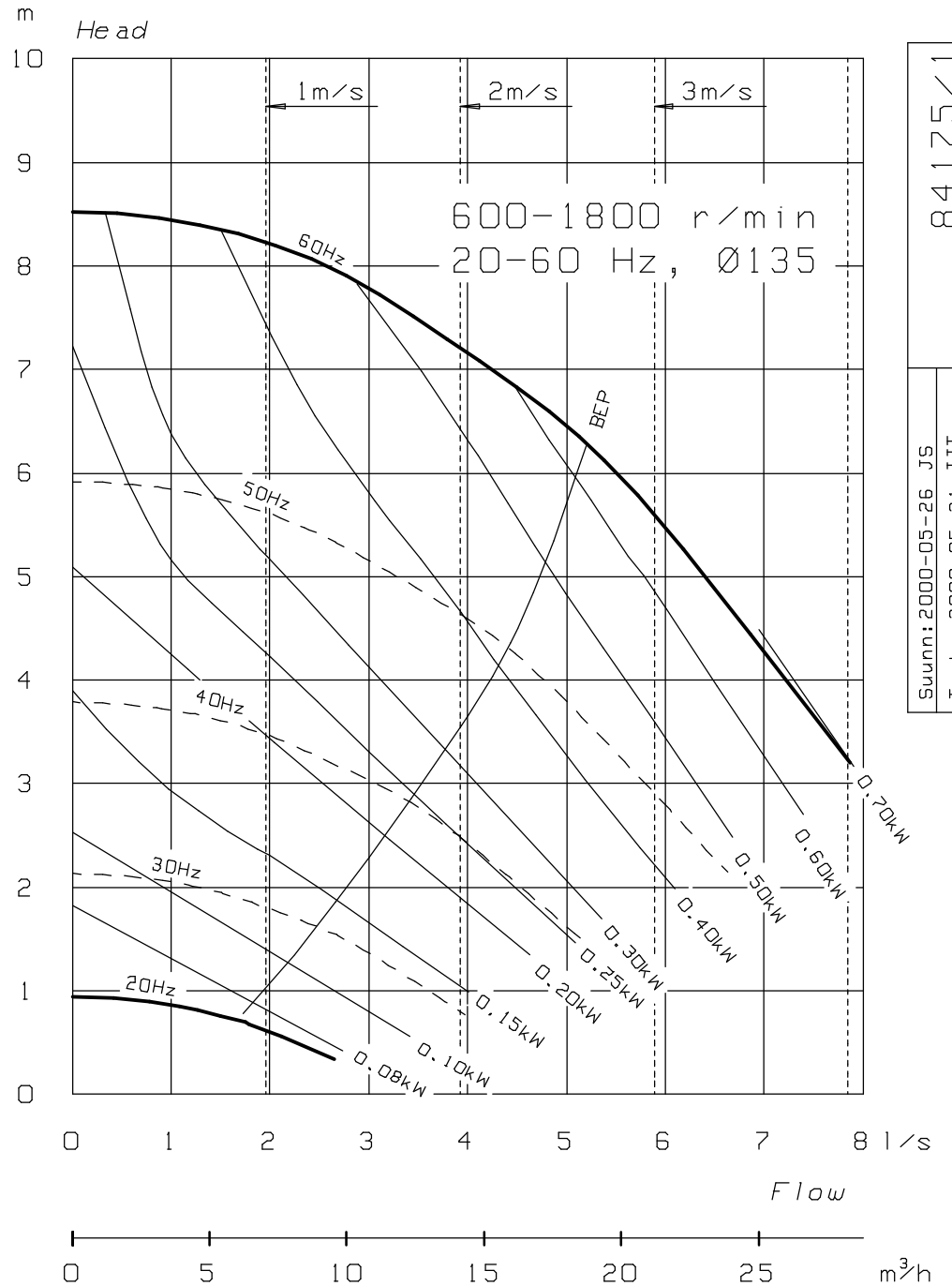
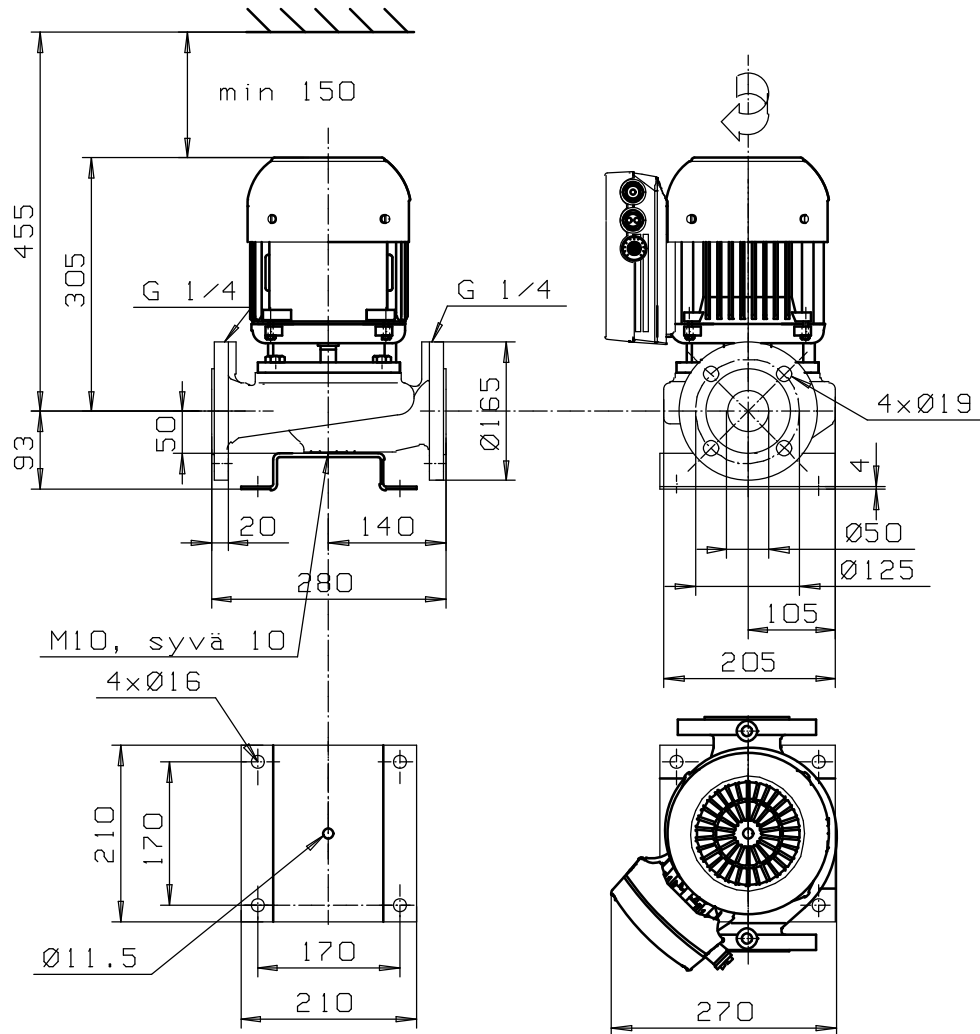


AL_-1054/4FC_

DN50



	P1 kW	A	kg
OKFC-100 B2 F15	0.08 - 0.7	0.2 - 1.4	42
BEP = best efficiency point			

Suunn: 2000-05-26 JS
Tark: 2000-05-31 JJT

84175/1