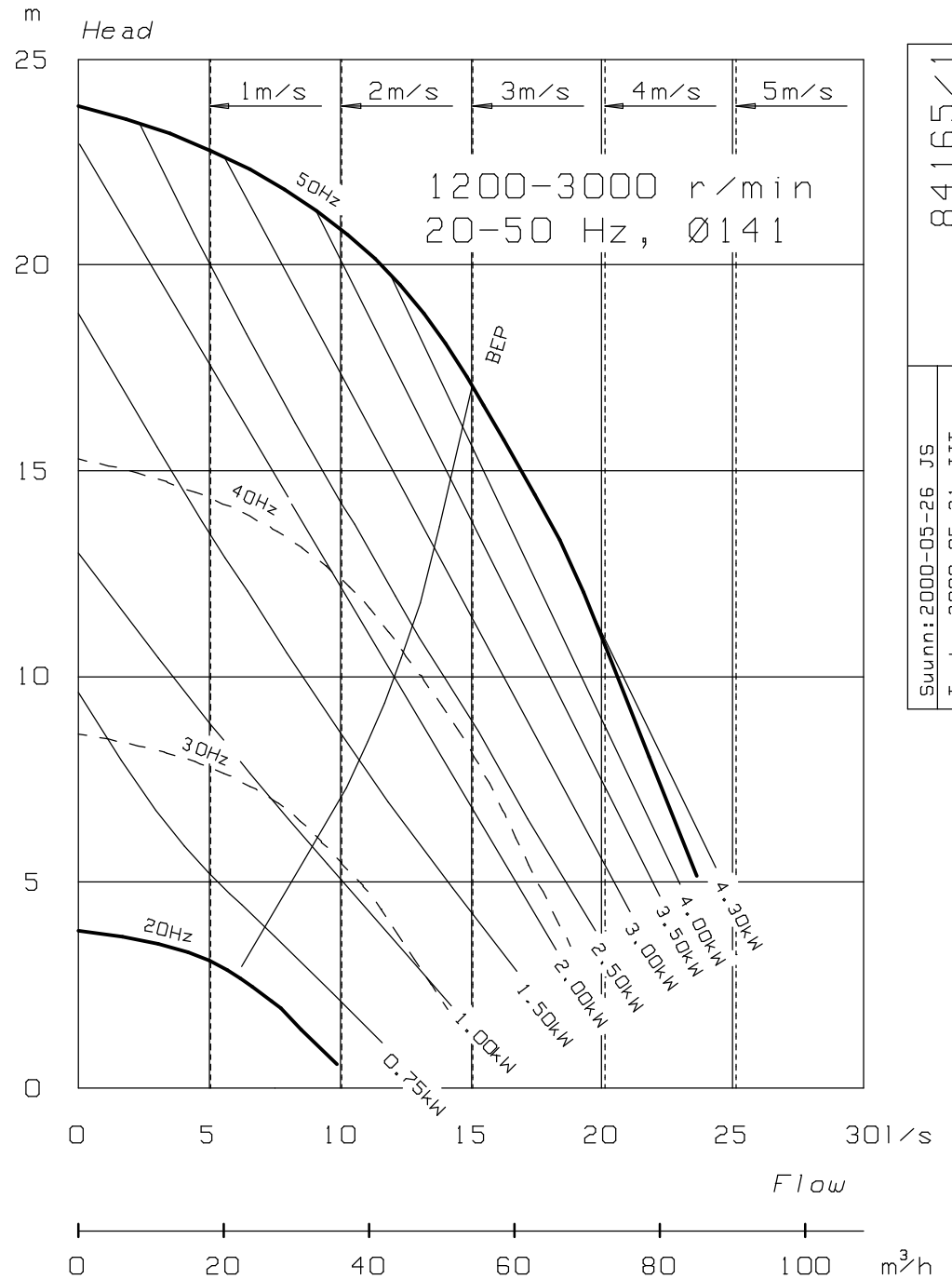
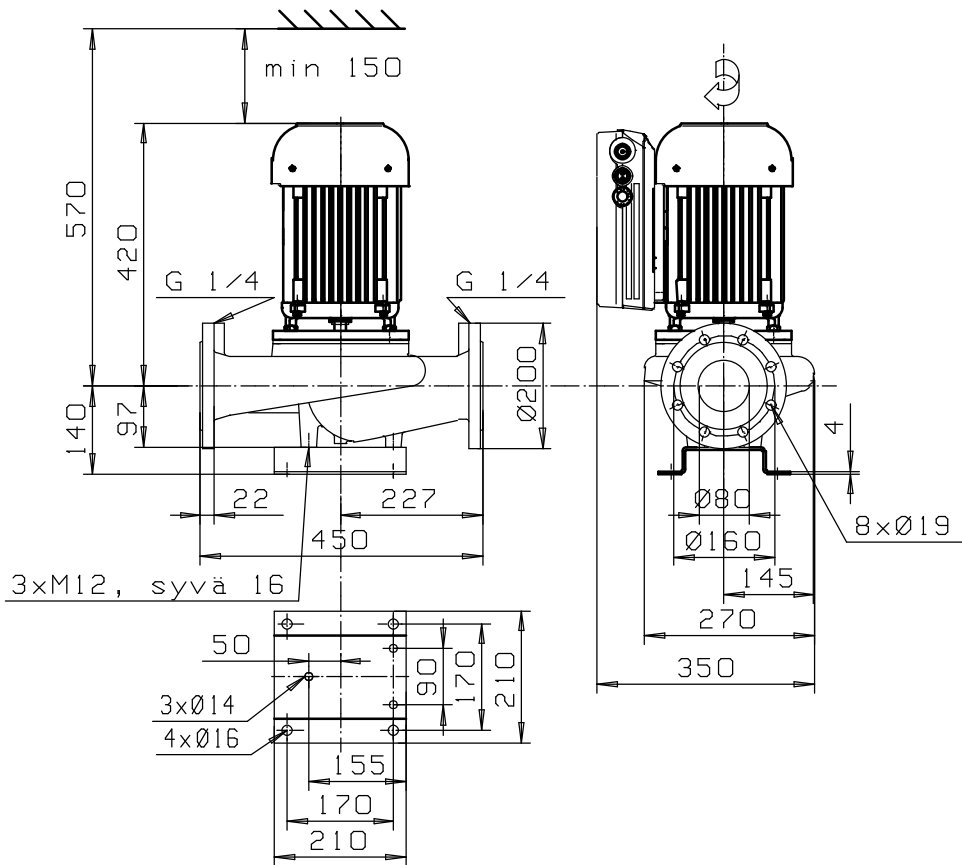


AL_-1081/2FC_

DN80



	P1 kW	A	kg
OKFC-112 E1 F19	0.75 - 4.3	1.4 - 6.9	72
BEP = best efficiency point			

Suunn: 2000-05-26 JS
 Tark: 2000-05-31 JJT
 84165/1