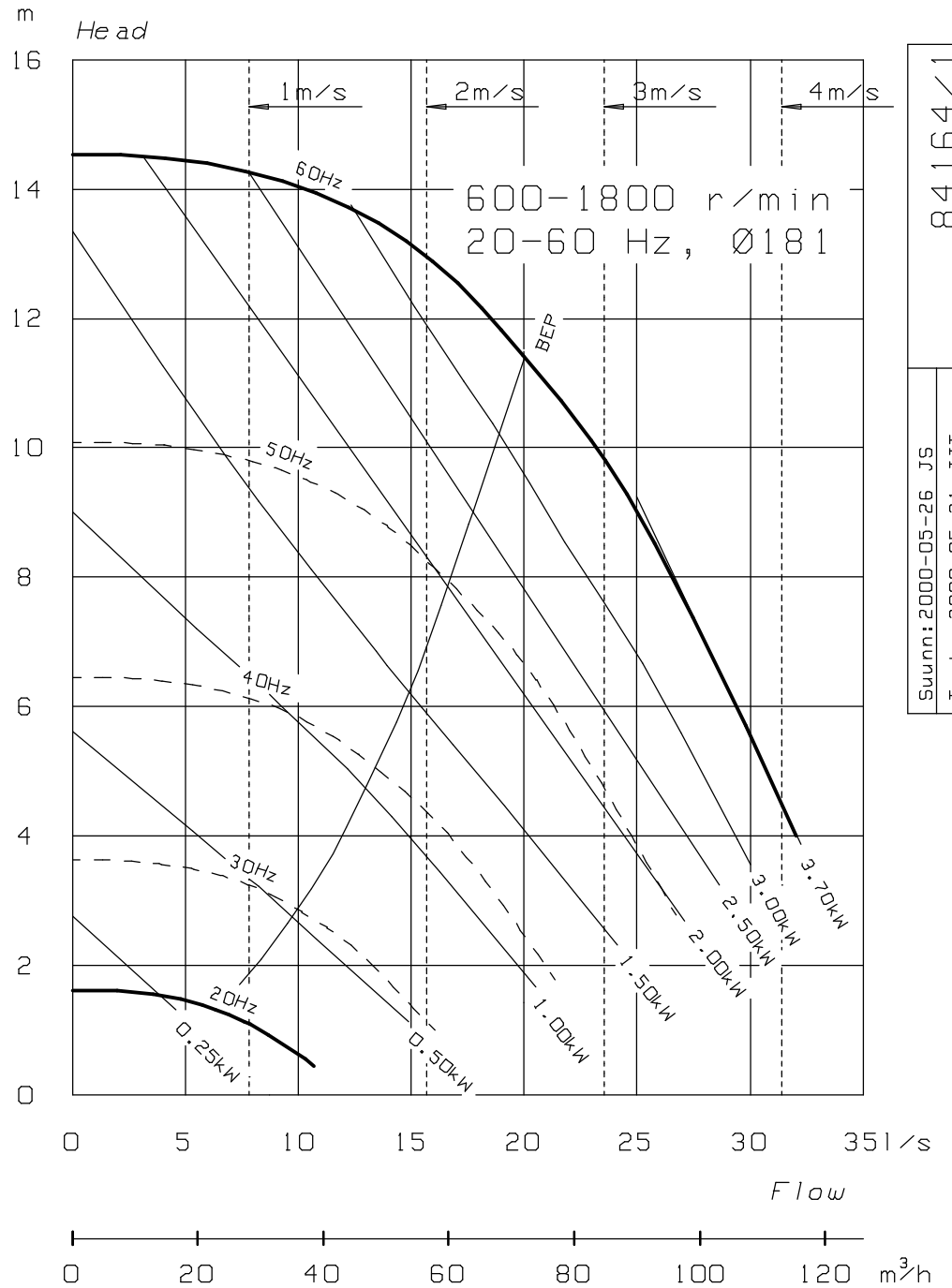
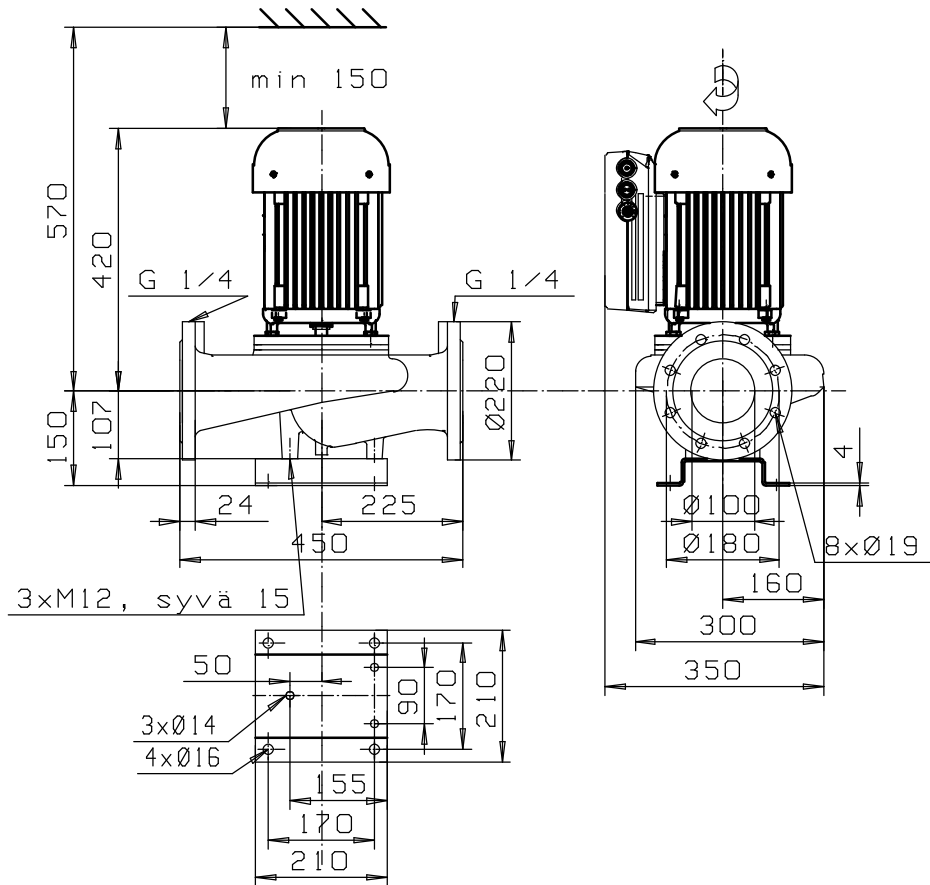


# AL\_-1102/4FC\_

# DN100



	P1 kW	A	kg
OKFC-112 E2 F19	0.25 - 3.7	0.4 - 5.8	80
BEP = best efficiency point			

Swunn: 2000-05-26 JS  
 Tark: 2000-05-31 JJT  
 84164/1