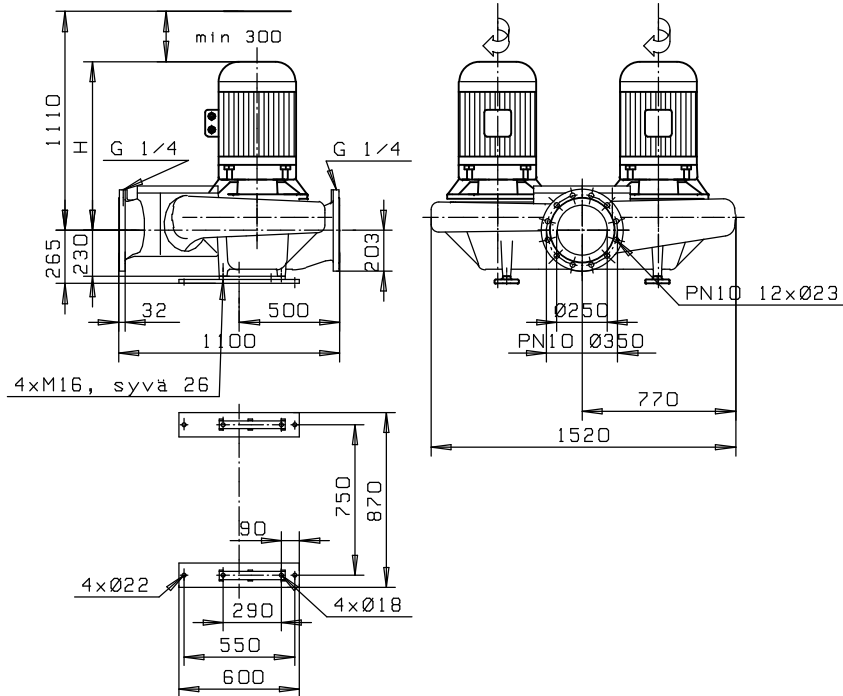
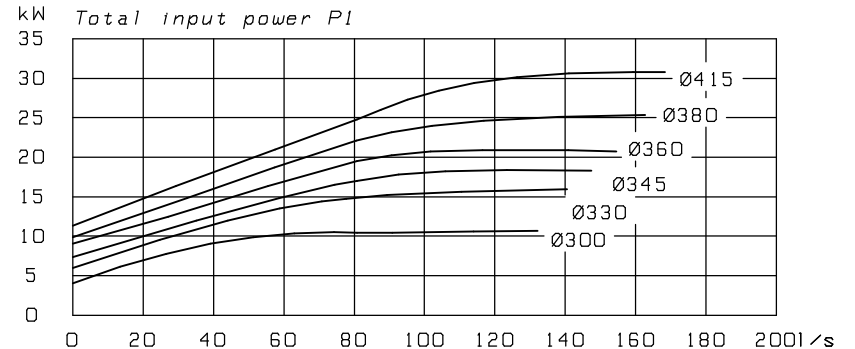
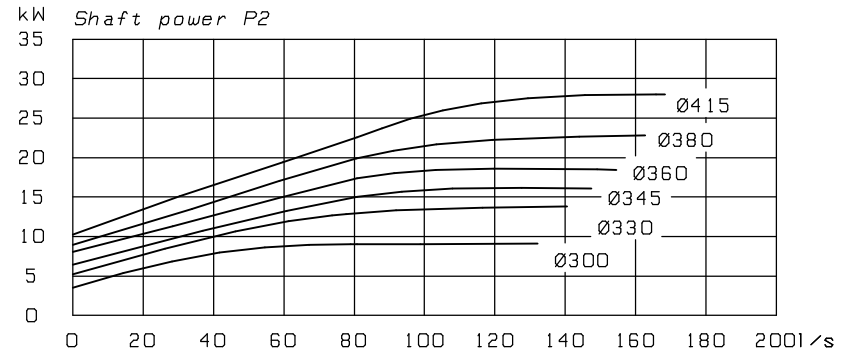
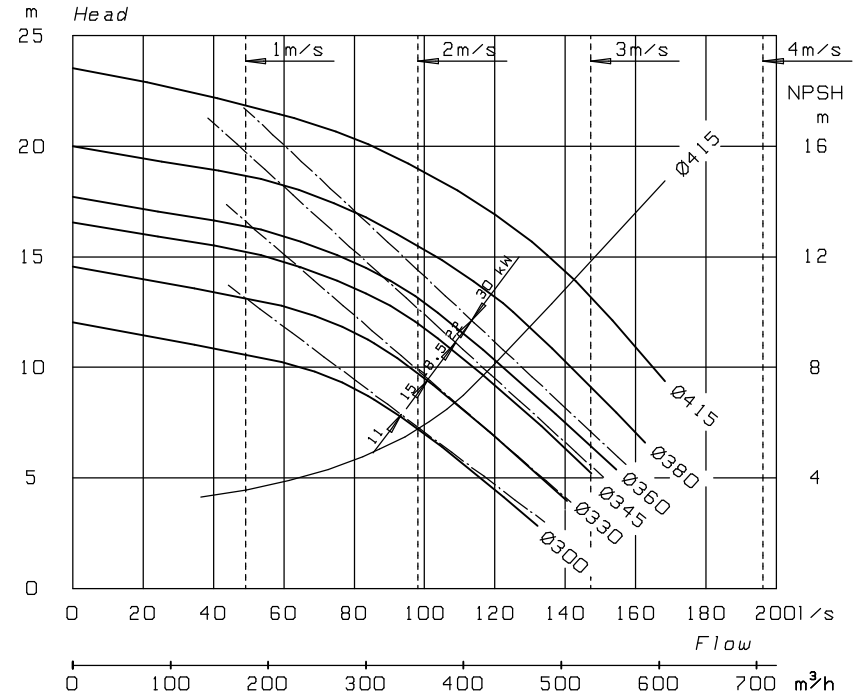
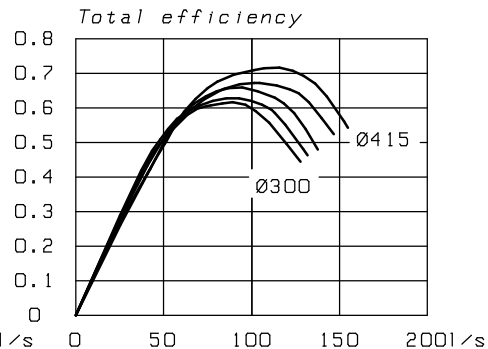
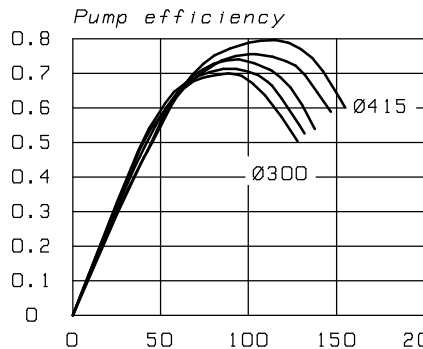


AT_-1250/6 DN250 1000 r/min



	kW	A	kg	H
OKM-226 K3 F42	30	55	1110	810
OKM-207 K3 F41	22	43.5	980	810
OKM-206 K3 F41	18.5	35.5	960	720
OKM-187 H3 F41	15	30.5	810	720
OKM-165 H3 F41	11	22	720	705



Suunn: 2000-05-15 JS
 Tark: 2000-05-31 JJT
 84297